

# Product info no. 1-2020.

---

## UPDATE OF LOGSTOR PRODUCT ASSORTMENT

---

We start 2020 with exciting news for you.

This ProductInfo contains updates on a new improved foam in FlextraPipe as well as a new flexible pressure tool for BandJoint  $\varnothing$ 225 – 800 mm.

If you have any questions, please feel welcome to contact your everyday contact person or the undersigned.

Best regards,  
LOGSTOR A/S

**Peter Jorsal**  
Product & Academy Manager

**Klaus G. Lauridsen**  
Product Manager

**LOGSTOR**

# LOGSTOR FlextraPipe with improved lambda value

We are proud to have obtained a new lambda certificate of 0.0193 W/mK for AluFlextra and PexFlextra.

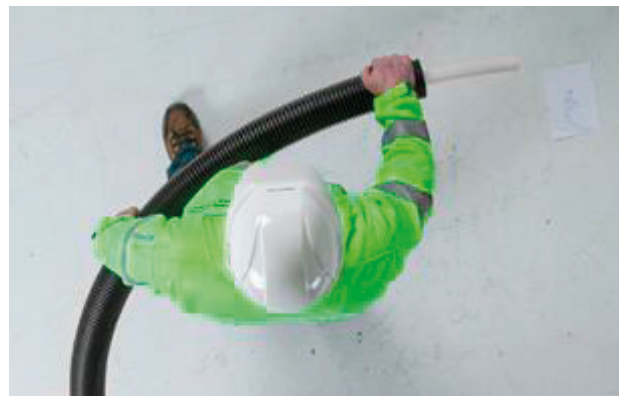
For the last 2 years LOGSTOR has focused on developing an improved foaming system, what reduces the heat loss with an additional 9% in relation to an average lambda value of 0.0200 W/mK.

The unique diffusion barrier in FlextraPipe ensures the extreme low lambda value throughout the entire service life.

**There are no compromises, and all the well-known installation benefits have of course been preserved.**



**Flexibility** – most flexible PUR foam without cracks in the foam, when bent, and thus maintaining the low heat loss and the mechanical properties. See below illustration after test in connection with the "Project Day on Pre-insulated District Heating Pipes" held by the Danish District Heating Association.

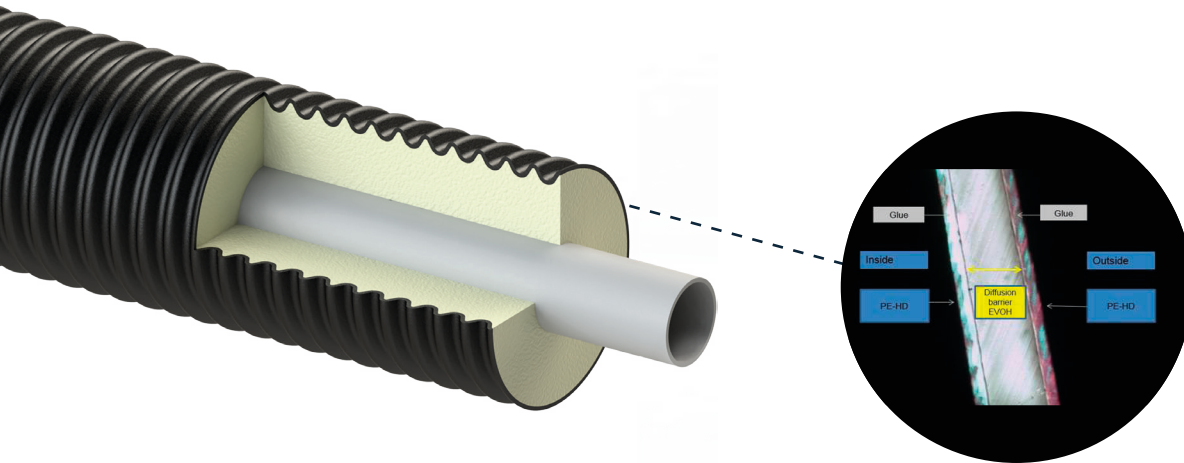


**Sturdiness** - FlextraPipe is suitable for direct tunneling due to its sturdy design.

**Work environment** – FlextraPipe is up to 3 times easier to bend than other pre-insulated PUR-solutions, what ensures a good work environment and shorter installation time.

**Optimum insulation property** – The unique diffusion barrier counteracts ageing and ensures that the lambda value does not deteriorate during the service life of the product.

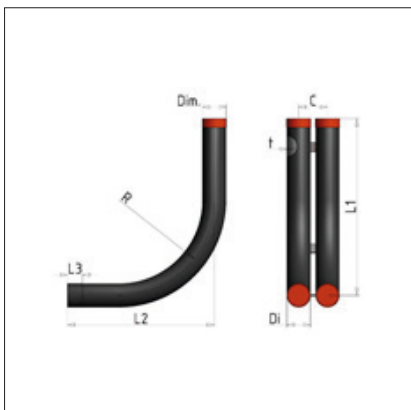
*The standard EN15632-1, Annex C about flexible pipes defines, that for pipes without a good diffusion barrier the stated lambda value shall be multiplied by 1.25 to obtain a correct lambda value to make a system design.*



**Due to the focused development within the last years we can now add:**

**The lowest heat loss** - Lowest lambda certificate ever of 0.0193 W/mK

**Complete assortment** - We have focused on developing FlextraPipe as a system, and expanded our accessories for house installations, so they are complete. Our catalogue will be updated before the end of January.



# New Flexible Pressure Tool for BandJoint $\varnothing 225 - 800$ mm



At the annual meeting of the Danish District Heating Association on October 2019 in Denmark we introduced the new pressure tool for BandJoint  $\varnothing 225 - 800$  mm.

## Properties and Customer Values of the New Pressure Tool:

### Smaller investment in pressure tools

- One flexible pressure tool for BandJoint in all dimensions between  $\varnothing 225 - 800$  mm
- The same tool is used for all dimensions

### Shorter installation time

- Fewer tools to handle, because the same tool is used for all dimensions
- Lower weight of the tool makes it easier to handle

### Optimum work environment for the casing joint fitter

- Each part of the pressure tool weighs less

### High focus on safety

- The pressure bands are equipped with a safety valve, increasing the safety during installation

### High-quality weld

- The correct pressure in the weld zone (1.5 bar) during welding is ensured by an air pressure, which is automatically checked by the WeldMaster/ WeldMaster Light

Pressure tools for BandJoint  $\varnothing 90 - 200$  and  $\varnothing 900 - 1400$  have not been changed.

# Details on the New Flexible Pressure Tool

The new flexible pressure tool consists of the following parts:



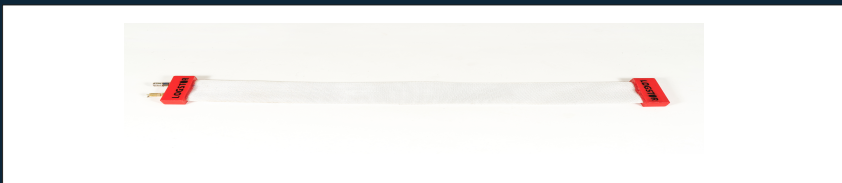
**ARTICLE NUMBER 9050 0000 000 007**  
Flexible pressure tool  $\varnothing 225 - 800$  mm



**ARTICLE NUMBER 9050 0000 000 008**  
Handle with pressure bands for flexible tool (circumferential)



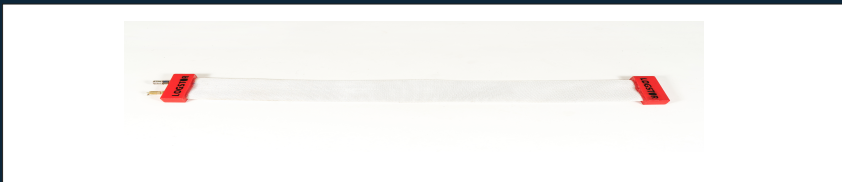
**ARTICLE NUMBER 9050 0000 000 006**  
Pressure band for flexible tool  $\varnothing 225 - 800$  mm (circumferential)



**ARTICLE NUMBER 9050 0000 000 004**  
Pressure band for flexible tool 630 mm (longitudinal)



**ARTICLE NUMBER 9050 0000 000 009**  
Pressure rail for flexible tool 630 mm



**ARTICLE NUMBER 9050 0000 000 005**  
Pressure band for flexible tool 1020 mm (longitudinal)



**ARTICLE NUMBER 9050 0000 000 010**  
Pressure rail for flexible tool 1020 mm

### **Required Pressure on Pressure Bands**

The pressure on pressure bands has been changed to 1.5 bar. It must always be checked by means of the PDA that the pressure is 1.5 bar. WeldMaster/WeldMaster Light monitors that the pressure is kept within the allowable tolerances during welding. Update of PDAs to the new pressure will take place automatically in week 2, 2020.

Hereafter the correct pressure on pressure bands is 1.5 bar in dimensions  $\varnothing 225 - 800$  mm, regardless of whether a new or an old type of pressure tool is used. Naturally, we have documented the above by means of a comprehensive test program in relation to the standard for casing joints, EN489.

### **Installation Instructions**

Installation instructions for the new flexible pressure tool are available on our homepage under "Catalogues and documentation".

### **Training the Casing Joint Fitters**

Future LOGSTOR weld joint courses will include the new flexible pressure tool.

For a demonstration of the new flexible pressure tool please contact LOGSTOR Service Department or Academy.